

CITY OF LOWELL
PETITION

TO THE
CITY COUNCIL

*The Properties, LLC
Jonathan L. Coppens, City Owner
485 Bridge Street
Lowell, MA*

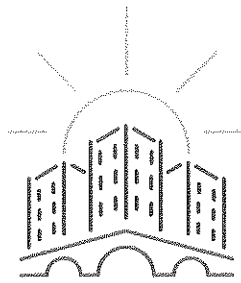
*Request overhanging awning
to be installed at 134 Bridge St.
Lowell, MA at 485 Bridge St.*

In City Council

February 26, 2019

Read and

Clerk



Lee Properties, LLC
Residential + Commercial Real Estate

February 19, 2019

2019 FEB 20 PM 1:05

City Manager Eileen M. Donoghue

Mayor William Samaras

and

Members of the City Council

Re: New Awning Installation at 485 Bridge Street, Lowell.

Dear Manager Donoghue, Mayor Samaras and Members of the City Council:

Enclosed please find the design specifications for a proposed new overhanging awning to be installed at Bridge St. Laundromat, to encroach on City property at 485 Bridge Street.

I humbly request you to consider my application. If you have any questions, please do not hesitate to contact me directly at 978-914-6538

Regards,

Jonathan L. Cozzens

Lee Properties, LLC.

(Building Owner)

NOTES **100.1**

DIMENSIONAL LETTER SET

Quantity: 1 SET

A
25" thick white acrylic copy flush stud mounted to building.

SURVEY REQUIRED

SURVEY AFTER STONE FACADE IS COMPLETED.

Sign Square Footage: 5.5

Font: Bodini Bd Cond

RELEASE TO PRODUCTION:

Work Order:

WWW.METROSIGN.NET

Customer/Job Location:

City of Lowell

Bridge St Laundromat - Lowell, MA

PHONE: 978.851.2424

FAX: 978.851.2022

170 LORUM STREET

TEWKSBURY MA 01876

DWG DATE: 12.20.2018

Rev: 1: 1/4/19 reduced size updated copy

Rev: 2:

Rev: 3:

This design drawing is copyrighted © 2018 Metro Sign & Awning, Inc. No part of this drawing may be reproduced, copied or exhibited in any fashion without written consent from Metro Sign & Awning, Inc.

Approval: Approved

Approved As Noted

Date

X

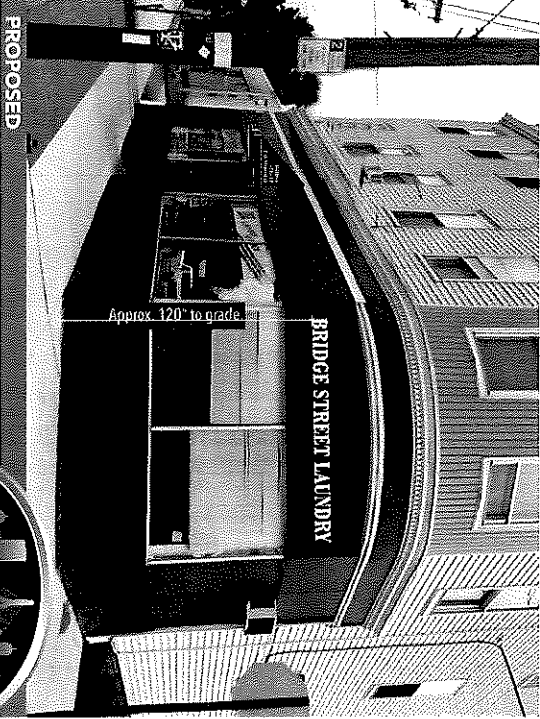
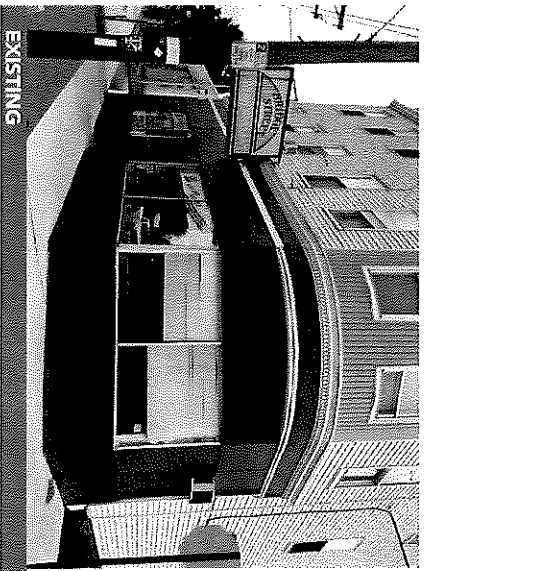
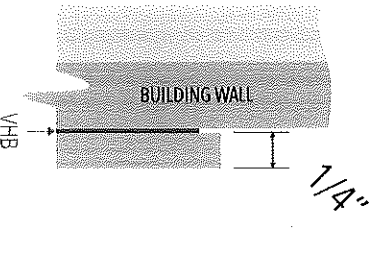
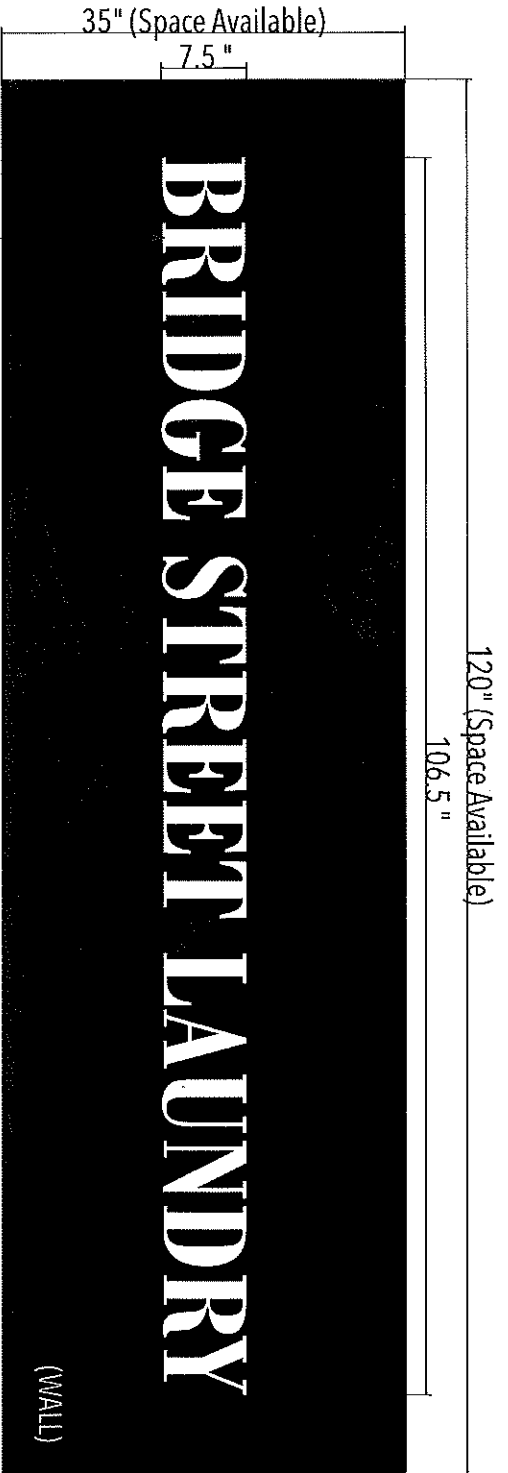
File Name: City of Lowell Bridge Street Laundromat Awning & DLS Lowell_18-19906.fs

Sales: DS

Design: JP

Print: MO

Drawing # 18-19906-1r1

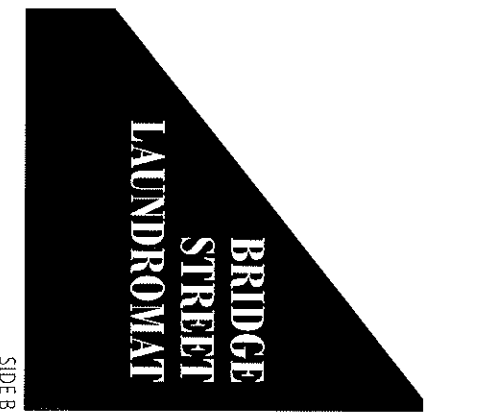
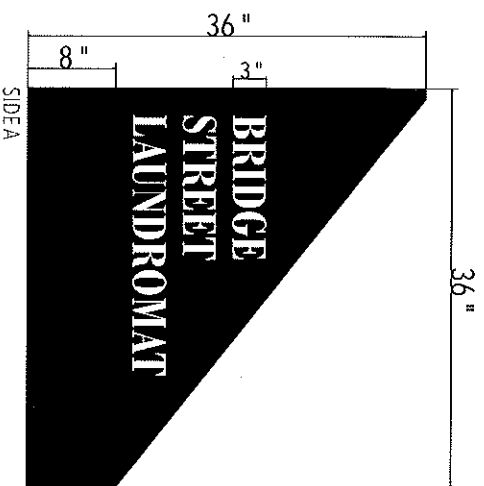
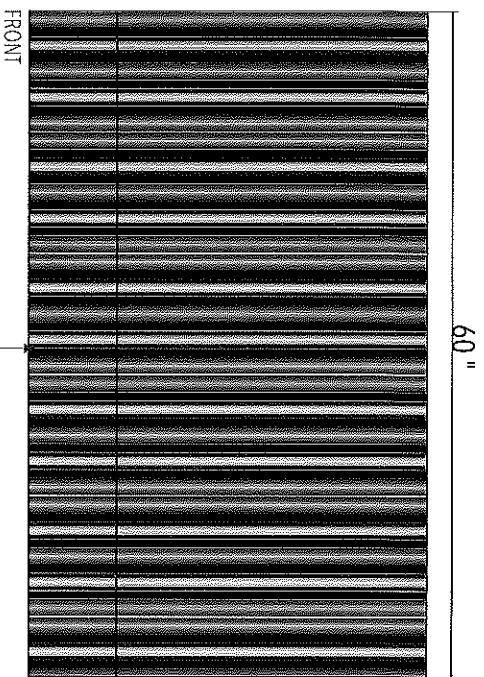


NOTES **10C2**

**SHED ROOF
AWNING**

Quantity: 1

A
36" h x 60" w x 36" projection,
shed roof awning. Frame covered
in striped and solid Sunbrella
fabrics. White painted graphics
on both ends. See next page for
additional fabrication/mounting
details.



SURVEY REQUIRED

SURVEY AFTER STONE FACADE IS
COMPLETED.

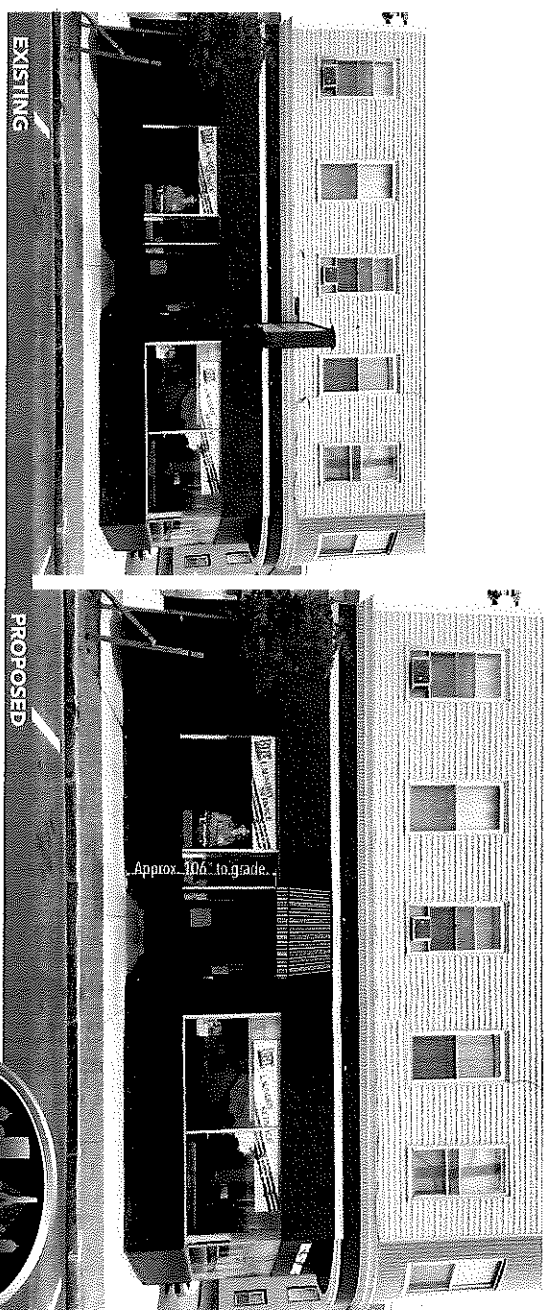
Graphics Sq. Footage: 1.9

Fonts: Bodini Bd Ord

RELEASE TO PRODUCTION:

Work Order:

- PAINT COLORS:**
- White
- WATERPROOF COLORS:**
- Sunbrella Saxon Cascade
 - Sunbrella Navy



WWW.METROSIGN.NET

PHONE: 978.851.2424

FAX: 978.851.2022

170 LORUM STREET

TEWKSBURY, MA 01876

Customer/Job Location:

City of Lowell

Bridge St Laundromat - Lowell, MA

DWG. DATE: 12.20.2018

Rev. 1: 1A, 1B added side B to shear staples.

Rev. 2:

Rev. 3:

Approval: Approved
 Approved As Noted

Date: _____

File Name: City of Lowell_Bridge Street Laundromat_Awning & DLS_Lowell_18-19906-16

Sales: DS
Design: JP
P.Mgr.: MO

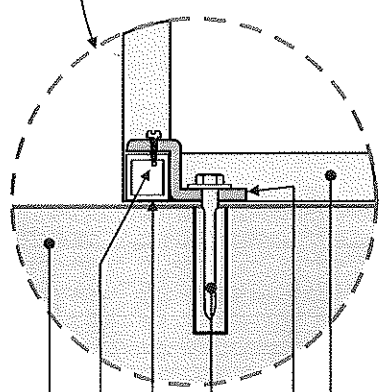
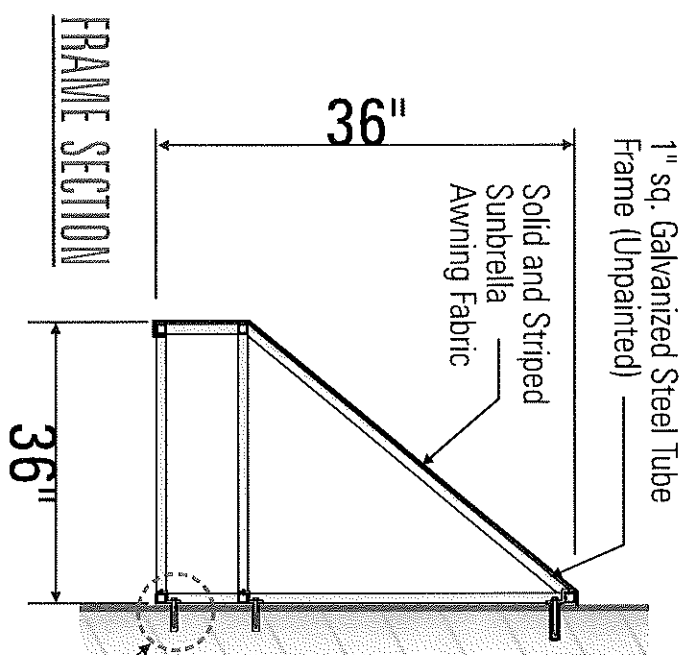
Drawing # 18-19906-2-1

This design/drawing is copyrighted © 2018 Metro Sign & Awning, Inc. No part of this drawing may be reproduced, copied or exhibited in any fashion without written consent from Metro Sign & Awning, Inc.



NOTES
10C2
AWNING FAB./
MOUNTING DETAILS

RELEASE TO PRODUCTION:
Work Order:



- 1" GALV. STEEL TUBE FRAME
- GALVANIZED Z-CLIP
- LAG BOLTS (3" typ.) OR EQUAL
- 1" GALV. STEEL TUBE FRAME
- TEK SCREW
- BUILDING WALL

WWW.METROSIGN.NET
 PHONE: 978.851.2424
 FAX: 978.851.2022
 170 LORUM STREET
 TEWKSBURY MA 01876

Customer/Job Location:
City of Lowell
 Bridge St Laundrymat - Lowell, MA

DWG. DATE: 12.20.2018
 Rev. 1:
 Rev. 2:

Approval: Approved
 Approved As Noted
 Date: _____ Date: _____
 X

File Name: City of Lowell, Bridge Street Laundrymat Awning & DLS, Lowell, 18-19906-3

Sales: DS
 Design: DP
 PMgr: MO
 Drawing #: 18-19906-3

This design/drawing is copyrighted © 2018 Metro Sign & Awning, Inc. No part of this drawing may be reproduced, copied or exhibited in any fashion without written consent from Metro Sign & Awning, Inc.

