

CITY OF LOWELL

PETITION

CITY COUNCIL

Gas Mains

Matthew Wood

*To install a remote SCADA telemetry
equipment at all existing gas pressure
regulators within the gas area under
In City Council #2921*

October 29, 2019

Read and hearing ordered for 7PM on

November 13, 2019

**Read, Hearing Held,
Referred to Wire In-
spector, Development
Services**

City Clerk

Review of Utility Company Request for New Conduit/Pole Location

Applicant Information

Utility Gas Electric Telephone

(circle one) Other

Reason Installation of a SCADA system gas pressure system and associated piping to comply with the latest National Grid safety standards

Project Address

Callery Park area across the street from 242 Parker Street

Lowell, MA

Date Submitted 9/30/19

Review done by Christine Clancy

Sidewalk Material

Note: material to be replaced in kind (Concrete in full panels)

Concrete

Asphalt

Other

Sidewalk Vaults present

Y

N

Work on Street under a Paving Moratorium

Y

N

Is this location within the Flood Plain?

Y

N

Are ADA requirements being met?

Y

N

Comments

1. Refer to the attached revised plan that shows revised location of proposed SCADA system within landscaped area.
2. Contractor to mulch disturbed area and restore grass area with loam and seed.
3. Contractor to protect existing shrub from being disturbed. If disturbed, contractor to replace in kind.
4. Restored concrete panels shall be ADA compliant. Coordinate with City Engineering office prior to any concrete pours.

Outcome of Review

Approved

Approved with
Comments

X

Denied

Christine Clancy, P.E.; City Engineer

Christine Clancy

nationalGrid

May 13, 2019

Lowell City Clerks Office
375 Merrimack St
Lowell Ma 01852

To whom it may concern:

Enclosed please find a petition of National Grid covering the installation of a gas telemetry SCADA cabinet.

If you have any questions regarding this permit please contact:

Christopher Maher
775 Dutton Street
Lowell, Ma 01854

Christopher.Maher@nationalgrid.com
Phone: 617-839-5435

If this petition meets with your approval, please return an executed copy to:

National Grid Contact:

Christopher Maher
775 Dutton Street
Lowell, Ma 01854

Christopher.Maher@nationalgrid.com
Phone: 617-839-5435

Very truly yours,

Christopher Maher
Sr Supervisor Gas Instrumentation and Regulation

National Grid Contact
Christopher Maher, Senior Supervisor Gas Instrumentation and Regulation
Christopher.Maher@nationalgrid.com
Cell # 617-839-5435

Petition of:

National Grid
775 Dutton St.
Lowell, MA 01854

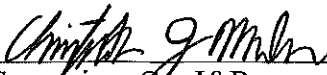
For the request to add to our existing gas regulator station a SCADA (Supervisory Control and Data Acquisition) System in the public right of way. The installation is located in the grass area beyond the sidewalk across the street from **#242 Parker St.**

TO: Lowell City Clerks Office.

Respectfully represents the NATIONAL GRID of 775 Dutton Street, Lowell, Massachusetts, that it desires to install a remote SCADA telemetry cabinet at our existing gas pressure regulator station in the grass area beyond the sidewalk across from **#242 Parker St.** The proposed installation will augment the existing regulator station with a new SCADA system, and provide real time pressure information to our gas control office, meeting National Grid's latest safety standards. This installation includes the necessary sustaining and protecting fixtures, under and across the public way hereinafter named.

Wherefore it prays that after due notice and hearing as provided by law, it be granted permission to excavate the public right of way to run and maintain a gas pressure SCADA telemetry cabinet, together with such sustaining and protecting fixtures as it may find necessary for the safe running operation of our underground gas structure and SCADA cabinet, said gas SCADA cabinet to be located substantially in accordance with the attached plan named – "Regulator Station SCADA Installation Station #2640 Parker St @ Wilder St."

NATIONAL GRID

BY 
Sr Supervisor Gas I&R

September 18, 2019

SEP 18 '19 PM3:40
ENGINEERS

ORDERED:

Notice having been given and public hearing held, as provided by law, that National Grid be and it is hereby granted permission to excavate the public right of way to install the new SCADA cabinet as shown in the plan named "Regulator Station SCADA Installation Station #2640 Parker St @ Wilder St," under and across the public way hereinafter named as said Company may deem necessary, in public way or ways hereinafter referred to, as requested in petition with the said COMPANY dated, May 13, 2019.

Said gas telemetry SCADA cabinet shall be located substantially in accordance with the attached plan named - "Regulator Station SCADA Installation Station #2640 Parker St @ Wilder St."

The following are public ways along which the gas pressure regulator station above referred to may be installed: the grass area beyond the sidewalk across the street from #242 Parker St on City Property, Lowell, Ma.

I hereby certify that the foregoing order was adopted at a meeting of the
.....
....., held on the day of.....,20.....
....., | , 20.....

Received and entered in the records of location orders of the City of Lowell, Ma.

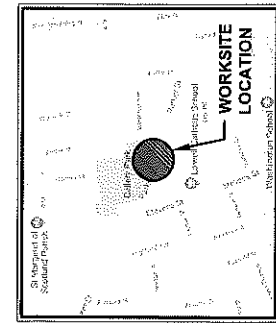
Book.....Page.....

Attest:

.....
.....hereby certify that on20....., at o'clock,..... M
At....., a public hearing was held on the petition of
NATIONAL GRID for permission to install gas telemetry SCADA cabinet as described in the
order herewith recorded, and that I mailed at least seven days before said hearing a written notice
of the time and hearing to each of the owners of real estate (as determined by the last preceding
assessment for taxation) along the ways or parts of ways upon which the Company is permitted
to install gas telemetry SCADA cabinet under said order. And that thereupon said order was duly
adopted.

.....
.....
.....

**REGULATOR STATION SCADA INSTALLATION
 STATION #2640
 PARKER ST. @ WILDER ST.
 LOWELL, MA
 W.O. NO.: 90000145657**

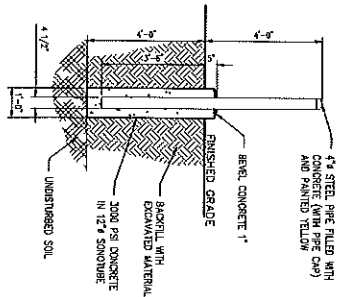
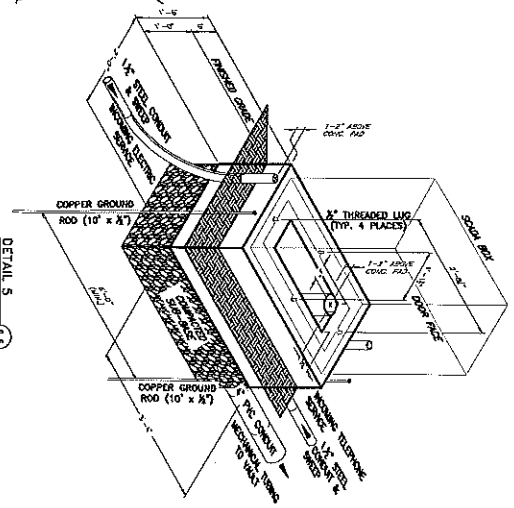
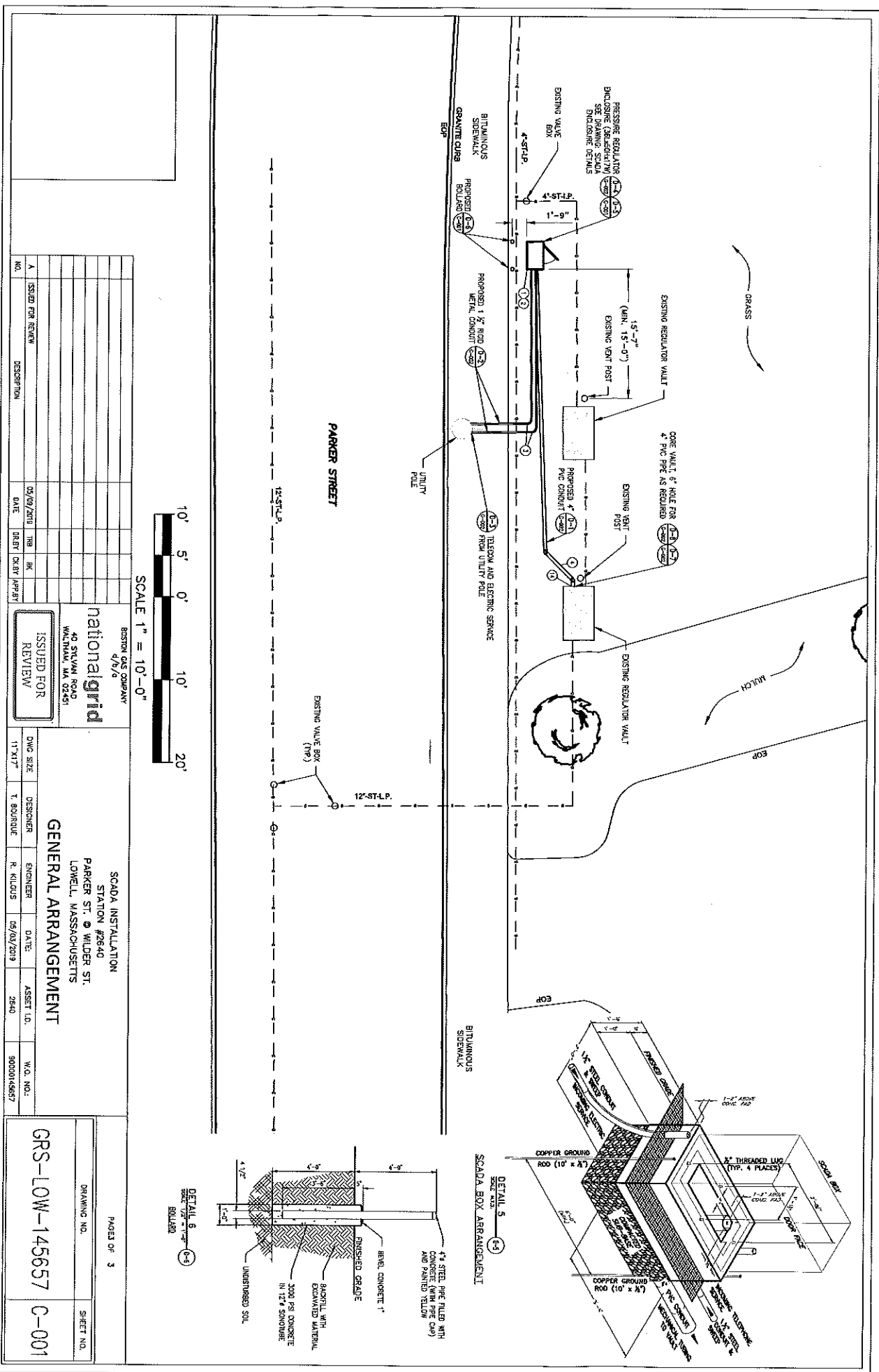


LOCUS
 SCALE: NTS

INDEX OF SHEETS		
SHEET	NAME	TITLE
1	GRS-LOW-145657 C-001	COVER SHEET
2	GRS-LOW-145657 C-002	CONSTRUCTION NOTES & DETAILS
3	GRS-LOW-145657 C-001	GENERAL ARRANGEMENT



BOSTON GAS COMPANY d/b/a nationalgrid 40 STUYVEN ROAD MILFORD, MA 02451		SCADA INSTALLATION STATION #2640 PARKER ST. @ WILDER ST. LOWELL, MASSACHUSETTS COVER SHEET		PAGE OF 3
ISSUED FOR REVIEW		ISSUED FOR REVIEW		DRAWING NO. GRS-LOW-145657 G-001
NO.		DATE		SHEET NO.
A	05/05/2019	ENGINEER R. KELGUS		G-001
		DESIGNER T. BOURQUE		
		DATE 05/03/2019		
		ASSET ID. 2640		
		W.O. NO. 90000145657		
		DWG SIZE 11"X17"		

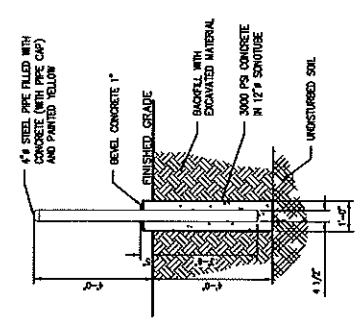
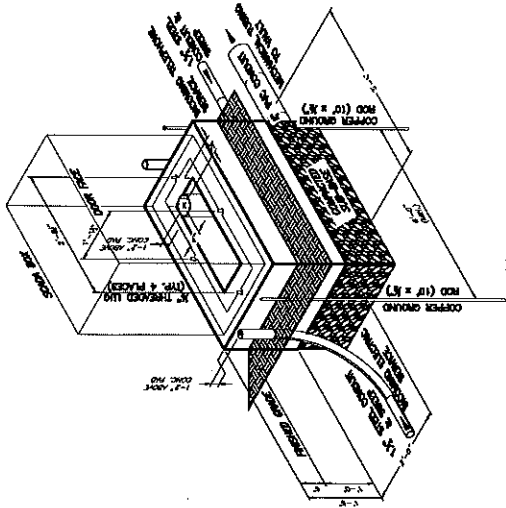
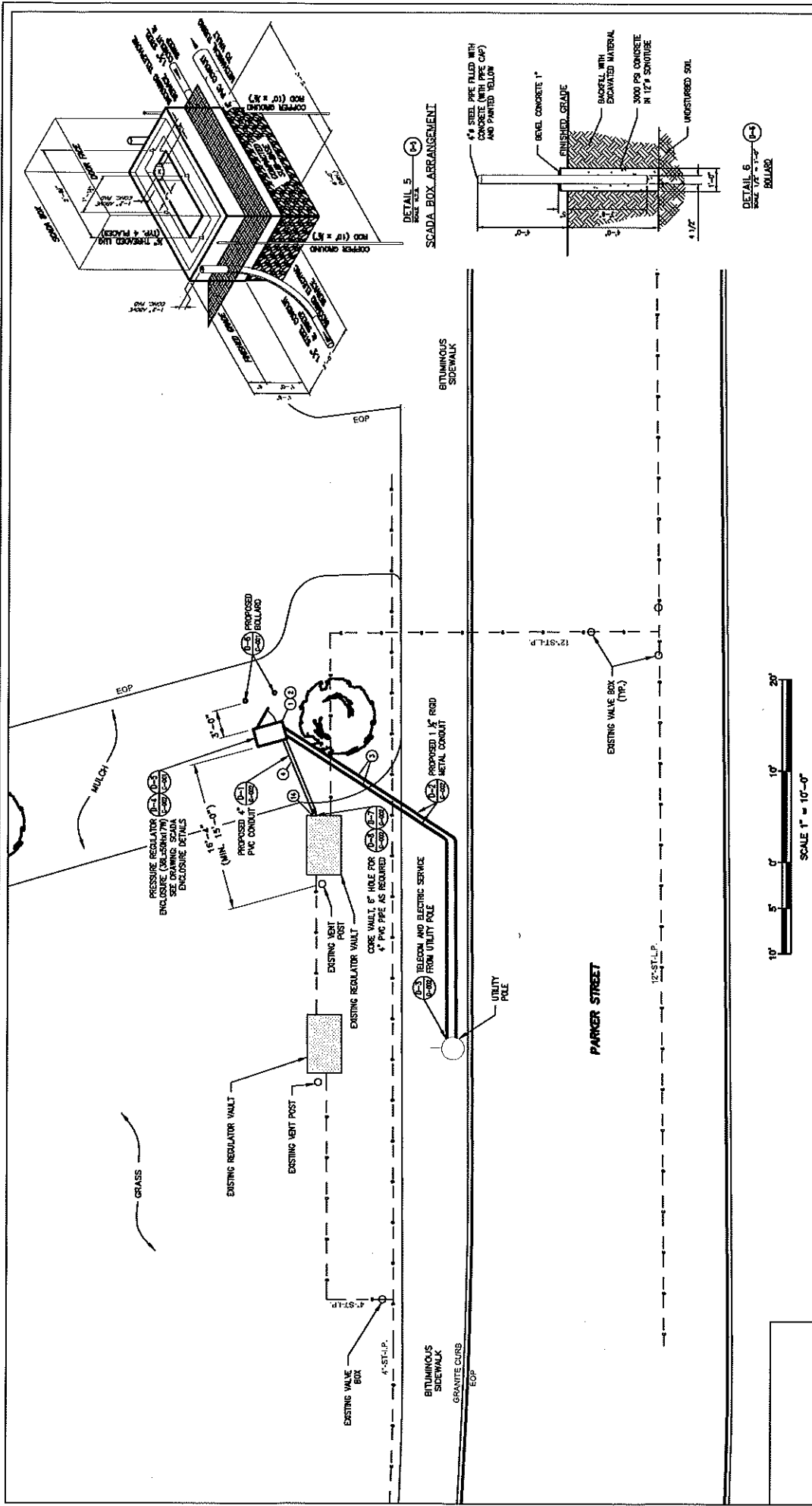


BOSTON GAS COMPANY 4/9/19 nationalgrid 40 STUYVA ROAD WALTHAM, MA 02451		ISSUED FOR REVIEW		SCADA INSTALLATION STATION #2640 PARKER ST. @ WILDER ST. LOWELL, MASSACHUSETTS		DESIGNER T. BOURQUE		ENGINEER R. KILGUS		DATE 09/03/2019		ASSET I.D. 2640		W.O. NO. 30000145657									
NO.		DESCRIPTION		DATE		REBY		CHECK		PPR/BR		DWG SIZE 11"x17"		T. BOURQUE		R. KILGUS		09/03/2019		2640		30000145657	
A		ISSUED FOR REVIEW		09/09/2019		TRB		BK		PPR/BR		11"x17"		T. BOURQUE		R. KILGUS		09/03/2019		2640		30000145657	

PAGES OF 3

DRAWING NO. GRS-LOW-145657

SHEET NO. C-001



SCADA INSTALLATION
STATION #2840
PARKER ST. @ WILDER ST.
LOWELL, MASSACHUSETTS

GENERAL ARRANGEMENT

DRAWING NO. **GRS-LOW-145657** SHEET NO. **C-001**

PAGES OF **3**

DWG SIZE	DESIGNER	ENGINEER	DATE	ASSET ID.	W.O. NO.
11"X17"	T. BOURQUE	R. KILGUS	09/30/2019	2840	90000145657

BOSTON GAS COMPANY
d/9/9

nationalgrid

40 STAMEN ROAD
MILFORD, MA 02451

ISSUED FOR CONSTRUCTION

NO.	DESCRIPTION	DATE	BY	CHK BY	APP BY
1	RELOCATED SCADA BOX	09/30/2019	TRB	TRB	TRB
0	ISSUED FOR CONSTRUCTION	09/23/2019	TRB	TRB	TRB

SIGN & DATE _____