

CITY OF LOWELL

PETITION

**CITY COUNCIL
Conduit Location**

Contract

*Substantial work underway
Contract to manhole to provide
service 43 Marshall St.
In City Council*

October 24, 2017

Read and hearing ordered for 7PM on

November 14, 2017

**Read, Hearing Held,
Referred to Wire In-
spector, Development
Services**

City Clerk

Nicolas Bosonetto, P.E.
City Engineer

Review of Utility Company Request for New Conduit/Pole Location

Applicant Information

Utility Gas Electric Telephone

(circle one) Other (COMCAST)

Reason Install new underground conduit at manhole to provide service.

Project Address

43 Market St

Lowell, MA

Date Submitted 10/4/2017

Review done by Joseph Assenza

Sidewalk Material

Note: material to be replaced in kind (Concrete in full panels)

(Concrete) Asphalt Other

Sidewalk Vaults present (Y) N

Work on Street under a Paving Moratorium (Y) N

Is this location within the Flood Plain? Y (N)

Are ADA requirements being met? (Y) N

Comments

Subject to additional conditions in the street opening permit for opening street under moratorium.

Outcome of Review

Approved

Approved With
Comments

Denied

Nicolas Bosonetto, P.E. City
Engineer



sent to engineering
10/4/17



Comcast
David R. Flewelling
Specialist 2 Construction
9 Forbes Road, Suite 9B
Woburn, MA 01801
Cell - 617-279-7864
dave_flewelling@cable.comcast.com

October 4, 2017

Mr. Michael Geary
City Clerk
Lowell City Hall
375 Merrimack Street
1st Floor, Room 31
Lowell, MA 01852

RE: 43 Market St Lowell
Grant of Location-Petition

Dear Mr. Geary:

Enclosed please find materials supporting Comcast request for a grant of location from the Lowell City Council. The work associated with the attached petition is for the purpose of installing a new underground conduit and manhole. The proposed work will be located on Market Street and will be to provide the Comcast Service to number 43 Market Street.

I look forward to the opportunity to address this matter in further detail at the next city council meeting. Should you have any questions or concerns, please feel free to contact me at (617) 279-7864.

Sincerely,

David R. Flewelling
Comcast
Specialist 2, Construction

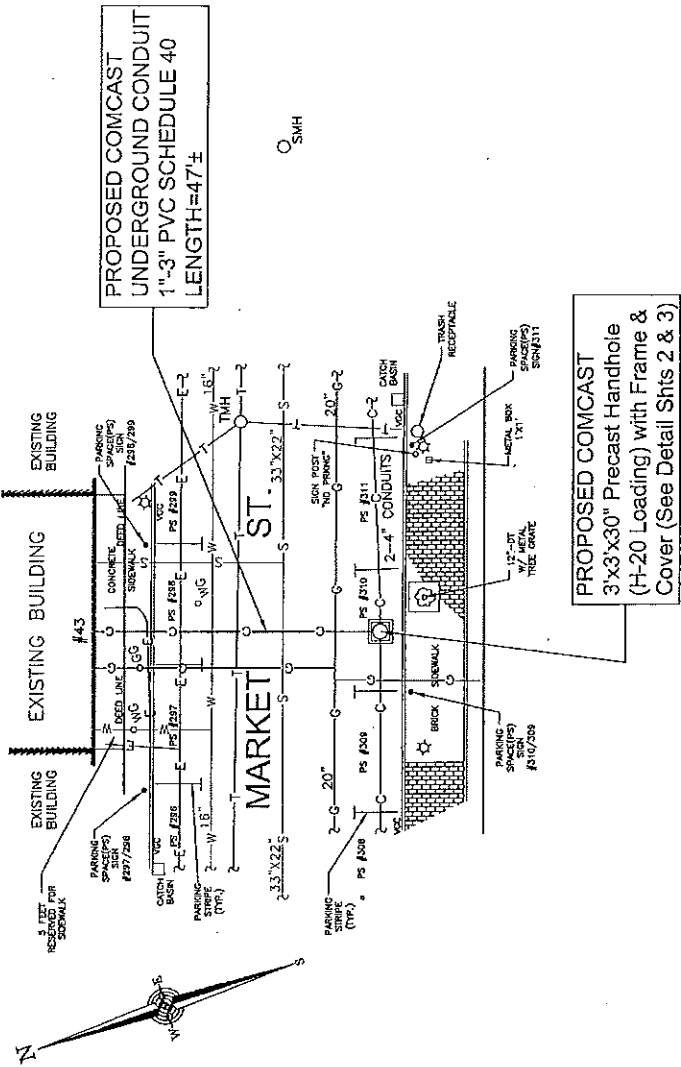
Enclosure (13)

NOTES:

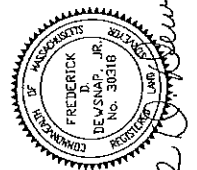
1. This plan was prepared from record data on file at the City of Lowell, the Middlesex North Registry of Deeds, and a field location survey performed by this office.
2. The locations of underground utilities as shown are based on above ground structures and record drawings provided to the Surveyor. Locations of underground utilities/structures may vary from location hereon and are not warranted to be accurate and/or correct. Additional buried utilities/ structures may be encountered. No excavations were performed during the progress of this survey to locate buried utilities/structures. Prior to any construction the Contractor shall notify DIG-SAFE at least 72 hours in advance at +888-344-7233 or 811 (National Call Number) for verification of utilities and for field locations.
3. All work to be performed is the installation of a Comcast 3" PVC underground conduit with one (1) 3"x3"x30" Precast Handhole.
5. All work shall conform to the City of Lowell Engineering and DPW Standards.

LEGEND

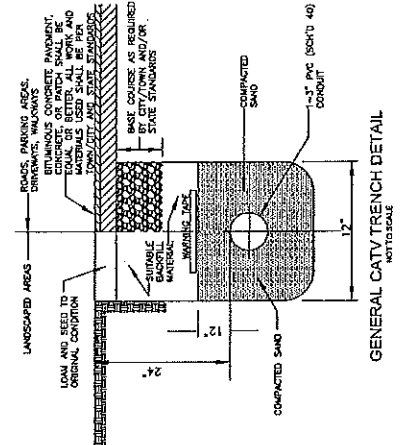
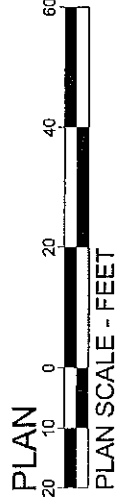
○ GGS	GAS GATE	☆	LIGHT POLE
○ WC	WATER GATE	— S —	SEWER LINE
VGC	VERTICAL GRANITE CURB	— T —	UNDERGROUND TELEPHONE LINE
— G —	GAS LINE	— E —	ELECTRICAL CONDUIT
— W —	WATER LINE	— C —	EXISTING COMCAST CONDUIT
⊗	DECIDUOUS TREE	— C —	PROPOSED COMCAST UNDERGROUND CONDUIT
○ TMH	TELEPHONE MANHOLE	○ C/MH	PROPOSED COMCAST MANHOLE



PROPOSED COMCAST UNDERGROUND	
MIDDLESEX COUNTY	
43 MARKET STREET	
LOWELL, MA	
Prepared for:	DEWSNAP ENGINEERING ASSOC. LLP 178 Union Avenue - Swampscott, MA 01960 781-271-2333-6585
Date:	October 3, 2017
Checked By:	F.D.D. & P.A.D.
Drawn By:	P.A.D.
Field By:	P.A.D. & A.P.D.
Scale:	1"=20'
Benchmark:	NONE
FILE No.:	
Sheet No. 1 of 3	



Frederick Dewsnap, Jr.

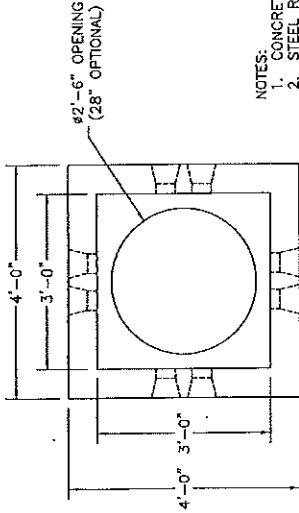


GENERAL CATV/TRENCH DETAIL

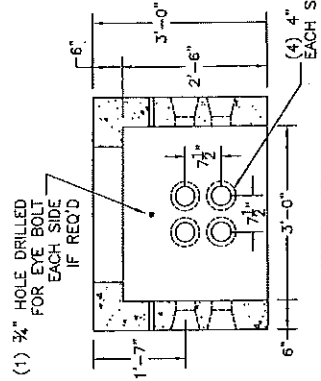
NOTES:

1. The details depicted are for general reference only. The final product used shall be the responsibility of the general contractor and shall be of equal or greater material than that depicted and shall conform to the Engineering/DPW Standards for the State, City/Town where the project is located.
2. The proposed 3"x3"x30" Handhole shall conform to H-20 loading or greater.

- NOTES:**
1. CONCRETE: 5,000 PSI MINIMUM AFTER 28 DAYS.
 2. STEEL REINFORCEMENT CONFORMS TO ASTM A615, GRADE 60.
 3. MINIMUM STEEL COVER 1".
 4. DESIGN LOADING: AASHTO HS20-44, 0 TO 5 FEET COVER.
 5. OPTIONAL OPENINGS AVAILABLE BY SPECIAL ORDER.

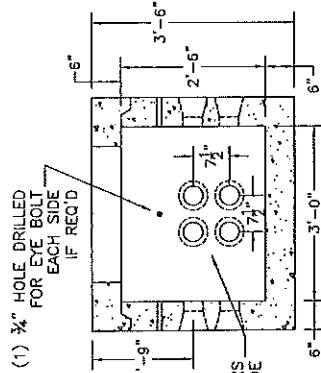


PLAN VIEW



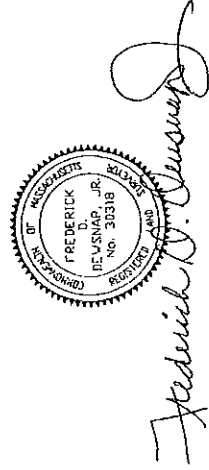
SECTION VIEW
OPEN BOTTOM

ITEM NO. HH333H WEIGHT 3.000#



SECTION VIEW
WITH FLOOR

ITEM NO. HH333AH WEIGHT 4.000#



"D E T A I L S"

PROPOSED COMCAST UNDERGROUND

MIDDLESEX COUNTY

43 MARKET STREET

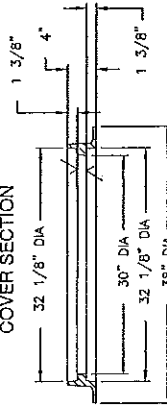
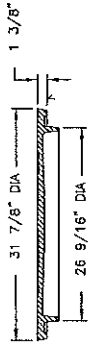
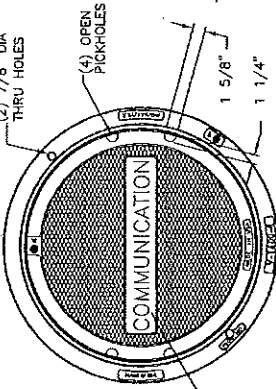
LOWELL, MA

Prepared for:	COMCAST 9 FORBES ROAD WOBURN, MA 01801	Prepared BY:	DEWSNAP ENGINEERING ASSOC. LLP 178 Lincoln Avenue - Shaugus, MA 01906 Tel: (978) 233-0685
Date:	October 3, 2017	Scale:	1"=20'
Checked By:	F.D.D. & P.A.D.	Benchmark:	NONE
Drawn By:	P.A.D.	FILE NO:	
Field By:	P.A.D. & A.P.D.	Sheet No. 2 of 3	

<p>SHEA New England's Premier Precaster 800-696-7432 (SHEA) www.sheaconcrete.com</p>	<p>HANDHOLE 36" X 36" X 30" H-20</p>
	<p>Page: K2.5 HH3X3.dwg 04/22/2014</p>
<p>773 Salem Street--Wilmington, MA 153 Cranberry Hwy--Rochester, MA 87 Haverhill Road--Amesbury, MA 160 Old Turnpike Rd--Rattlingham, NH</p>	

Not to Scale

V1600-4 1810A4 Assembly



Product Number
0016083A01
Design Features
-Aluminum
-Frame
-Gray Iron (CL358)
-Cast Iron (CL358)

-Design Load
-Heavy Duty
-Support Arm
-Ribs
-Coating
-Undrilled
-Designates Machined Surface

Certification

-ASTM A49
-Country of Origin: USA
Major Components
41600410
00160890

Drawing Revision
5/7/2017
Designer: MAH
Revised By:

Disclaimer

Weight, dimensions and tolerances shown on this drawing are for information only and are not intended to be used for manufacturing purposes. The user shall verify the accuracy of the information shown on this drawing before using it for manufacturing purposes. The user shall verify the accuracy of the information shown on this drawing before using it for manufacturing purposes. The user shall verify the accuracy of the information shown on this drawing before using it for manufacturing purposes.

NOTES:

- The details depicted are for general reference only. The final product used shall be the responsibility of the general contractor and shall be of equal or greater material than that depicted and shall conform to the Engineering/Draw Standards for the State, City/Town where the project is located.



Frederick D. Devsnap, Jr.

"D E T A I L S"

PROPOSED COMCAST UNDERGROUND

MIDDLESEX COUNTY

43 MARKET STREET

LOWELL, MA

Prepared for:	COMCAST 9 FORBES ROAD WOBURN, MA 01801	Prepared BY:	DEVSNAP ENGINEERING ASSOC. LLP 178 Lincoln Avenue - Stoughton, MA 01906 Tel: (781) 233-0395
Date:	October 3, 2017	Scale:	1"=20'
Checked By:	F. D.D. & P.A.D.	Benchmark:	NONE
Drawn By:	P.A.D.	FILE No.:	
Field By:	P.A.D. & A.P.D.	Sheet No.:	3 of 3

FRAME & COVER DETAIL
East Jordan Iron Works or Equal
Not to Scale