

CITY OF LOWELL

PETITION

CITY COUNCIL

Conduit Location
TC Systems, Inc Application of AT&T,
Sierra Engineering Group

To install a telecommunications conduit
in the vicinity of 100 Chestnut Road St.

In City Council

September 11, 2018

Read and hearing ordered for 7PM on

September 25, 2018

Read, Hearing Held,
Referred to Wire In-
spector, Development
Services

City Clerk



Review of Utility Company Request for New Conduit/Pole Location

Applicant Information Project Address

Utility Gas Electric Telephone 100 Chelmsford St

(circle one) Other AT+T Lowell, MA

Reason Connect existing underground + aerial systems by
means of a riser attachment on pole #85/2

Date Submitted 8/15/18

Review done by Joe Cady

Sidewalk Material Concrete Asphalt Other

Note: material to be replaced in kind (Concrete in full panels)

Sidewalk Vaults present Y N

Work on Street under a Paving Moratorium Y N

Is this location within the Flood Plain? Y N

Are ADA requirements being met? Y N

Comments

If concrete sidewalk panels are damaged then full panels must be replaced

Outcome of Review

Approved	Approved With Comments	Denied
<div style="border: 1px solid black; width: 100%; height: 100%;"></div>	<div style="border: 1px solid black; width: 100%; height: 100%; text-align: center;">✓</div>	<div style="border: 1px solid black; width: 100%; height: 100%;"></div>

~~James Donison, P.E.~~
 Commissioner of Public Works
 Christine Clancy, P.E.
 City Engineer

Christine Clancy

August 14, 2018

Mr. Michael Geary
City Clerk
Lowell City Hall
375 Merrimack Street
Lowell, MA 01852

**RE: TC Systems, Inc.
Petition for Underground Conduit Installation – 100 Chelmsford Street**

Dear Mr. Geary,

On behalf of TC Systems, Inc., an affiliate of AT&T, Siena Engineering Group is petitioning for approval to install a telecommunications conduit in the vicinity of 100 Chelmsford Street in Lowell. Our proposal is for one (1) four-inch PVC conduit, approximately 44 feet in length, leading from existing Verizon manhole #401 to existing Verizon/National Grid utility pole #85/2. This will create a connection between the existing underground and aerial systems by means of a riser attachment on pole #85/2. In doing so, the TC Systems fiber optic network will be able to continue throughout Lowell within Verizon's underground conduit system where there are no existing utility poles. The proposed cable will be able to service cell sites and multiple potential customers in the area, which would not be possible without creating this connection.

Please find attached fully developed engineering drawings, detailing our proposed installation and standard restoration details. Should you require additional information or wish to discuss the project more thoroughly, please contact me at (781) 221-8400 x7005 or adam.heller@sienaengineeringgroup.com.

Sincerely,

SIENA ENGINEERING GROUP, INC.

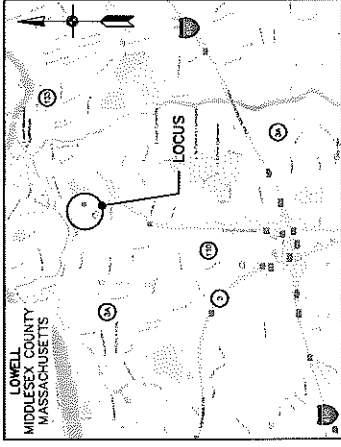


Adam Heller
Permit Engineer

2018 AUG 15 AM 10:18
OFFICE OF THE CITY CLERK
CITY OF LOWELL

2018 AUG 15 PM 12:53
CITY ENGINEER
CITY OF LOWELL

TC SYSTEMS, INC
An Affiliate of **AT&T**



LOCUS MAP
NOT TO SCALE

**PROPOSED CONDUIT PLACEMENT
100 CHELMSFORD STREET
LOWELL, MASSACHUSETTS**

**CONDUIT CONSTRUCTION PLANS
MIDDLESEX COUNTY
MARCH 27, 2018
PERMIT ISSUE**

**PRELIMINARY
NOT FOR CONSTRUCTION**

SIENA
ENGINEERING GROUP, INC.
50 Mall Road, Suite 203, Burlington, MA 01803
p 781.221.8400 f 781.221.7117

PRELIMINARY
 NOT FOR CONSTRUCTION

NOTES:



Call before you dig.

AT&T PROPRIETARY
 (Internal Use Only)

Not for disclosure outside the AT&T companies, except under written agreement.

© 2018 AT&T Intellectual Property. All Rights Reserved.

AT&T PROPRIETARY: This information is confidential and intended for the use of AT&T Intellectual Property. It is not to be disclosed, copied, or otherwise used by any third party without the prior written permission of AT&T Intellectual Property. This information is provided under the Freedom of Information Act (5 U.S.C. 552, Exemption B(7)(C)).

APPROVED FOR RECORD
 DATE: 3/28/2018

TC SYSTEMS, INC
 An Affiliate of AT&T



PROJECT NUMBER
 SHEET NUMBER

OWNER:
 LINE CODE
 DATE PLOTTED
 SCALE:

VZ LP #852 TO VZ MH #401
 LOWELL, MASSACHUSETTS
 MIDDLESEX COUNTY

LEGEND & REFERENCES

PT002

PLANIMETRIC SYMBOL LEGEND

- UP -> ○ -> UTILITY POLE
- -> UTILITY POLE ANCHOR
- GG ⊞ GAS VALVE
- TMH ○ TELEPHONE MANHOLE
- HYD ⊞ GATE/GENERAL
- ⊞ GATE/GENERAL
- DNH ○ DRAIN MANHOLE
- CB □ CATCH BASIN
- ⊞ SIGN
- ⊞ AT&T SPlice MANHOLE
- AT&T MANHOLE

LINETYPE LEGEND

SURFACE FEATURES

- X ----- FENCE
- EASEMENT LINE
- PROPERTY LINE
- RIGHT-OF-WAY LINE

EXISTING UTILITIES

- OHW ----- OVERHEAD WIRES
- E ----- BURIED ELECTRIC LINE
- T ----- BURIED TELEPHONE LINE
- TV ----- BURIED CABLE TV LINE
- SAN ----- SANITARY SEWER LINE
- SD ----- STORM DRAIN LINE
- W ----- WATER LINE
- G ----- GAS LINE

AT&T CONDUIT

- EXISTING BURIED CONDUIT
- PROPOSED BURIED CONDUIT

REFERENCES & NOTES

1. ELECTRIC UTILITY INFORMATION PER RECORD PLANS PROVIDED BY _
2. TELECOM UTILITY INFORMATION PER RECORD PLANS PROVIDED BY VERIZON.
3. GAS UTILITY INFORMATION PER RECORD PLANS PROVIDED BY NATIONAL GRID.
4. WATER, SEWER & DRAIN UTILITY INFORMATION PER RECORD PLANS PROVIDED BY CITY OF _

LOWELL
 MIDDLESEX COUNTY
 MASSACHUSETTS

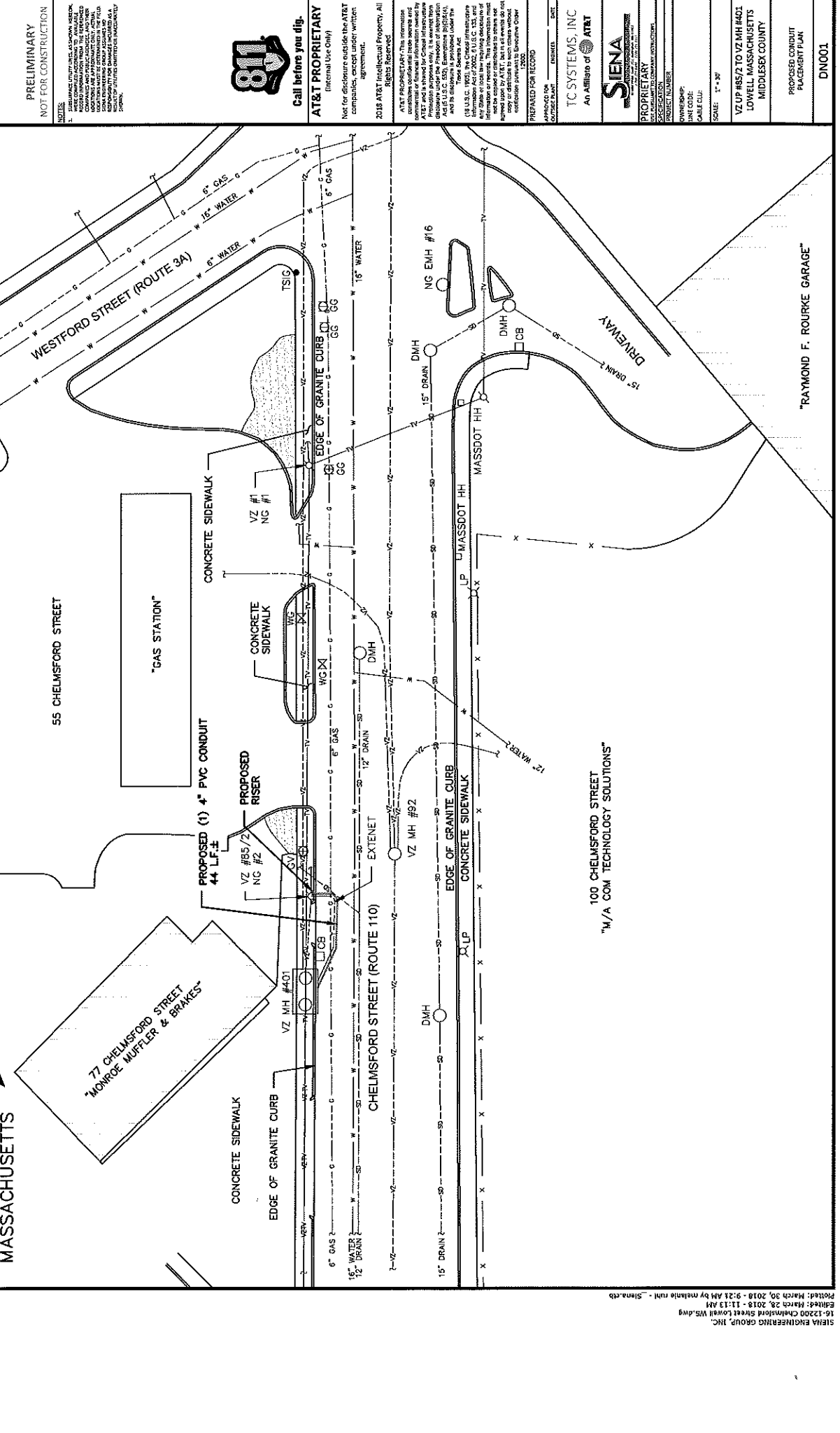
77 CHELMSFORD STREET
 "MONROE MUFFLER & BRAKES"

55 CHELMSFORD STREET
 "GAS STATION"

100 CHELMSFORD STREET
 "M/A COM TECHNOLOGY SOLUTIONS"

WESTFORD STREET (ROUTE 3A)

CHELMSFORD STREET (ROUTE 110)



NOTES:
 1. ALL DIMENSIONS UNLESS OTHERWISE SPECIFIED ARE IN FEET AND DECIMALS THEREOF.
 2. ALL DIMENSIONS SHALL BE TO THE CENTERLINE UNLESS OTHERWISE SPECIFIED.
 3. ALL DIMENSIONS SHALL BE TO THE CENTERLINE UNLESS OTHERWISE SPECIFIED.
 4. ALL DIMENSIONS SHALL BE TO THE CENTERLINE UNLESS OTHERWISE SPECIFIED.
 5. ALL DIMENSIONS SHALL BE TO THE CENTERLINE UNLESS OTHERWISE SPECIFIED.

PRELIMINARY
 NOT FOR CONSTRUCTION



AT&T PROPRIETARY
 (Internal Use Only)
 Not for disclosure outside the AT&T companies, except under written agreement.

© 2018 AT&T Intellectual Property. All rights reserved.

AT&T PROPRIETARY. This information is confidential and for internal use only. It is not to be disclosed to third parties without the prior written consent of AT&T Intellectual Property.

TC SYSTEMS, INC.
 An Affiliate of AT&T

SIENA ENGINEERING GROUP, INC.
 16-12200 CHELMSFORD STREET LOWELL W5.dwg
 DATE: March 28, 2018 11:13 AM
 PLOT: March 30, 2018 9:23 AM by rmlahm rml - Siena.ctb

PROPOSED CONDUIT
 PLACEMENT PLAN
 DN001

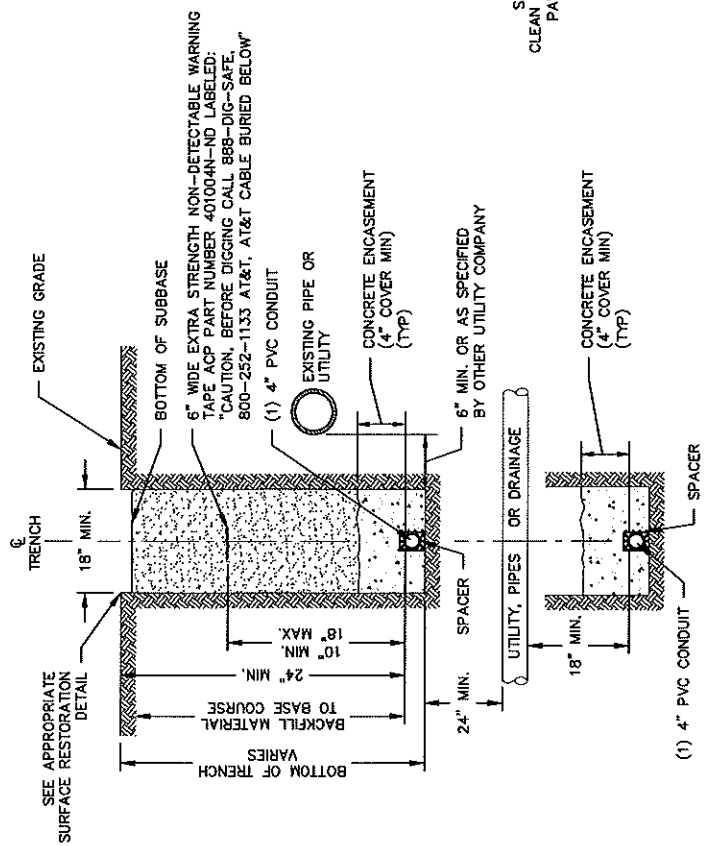
DATE: 1-March-2018 PER: DAE

SCALE: AS NOTED

PRELIMINARY
NOT FOR CONSTRUCTION

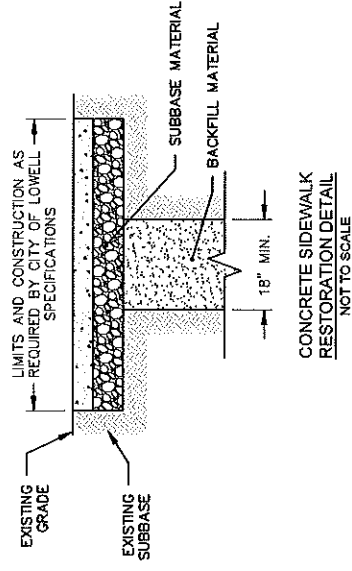
NOTES:

NOTE:
DEPTH SHALL VARY BASED UPON ENCOUNTERS WITH EXISTING UTILITIES. CONTRACTOR SHALL MAINTAIN A MINIMUM OF 24" DEPTH OF COVER. IF 24" MINIMUM DEPTH OF COVER CANNOT BE ACHIEVED, CONSULT W/ ENGINEER.
TRENCH WIDTH DIMENSIONS SHOWN FOR CLARITY. ACTUAL WIDTH WILL DEPEND ON FIELD CONDITIONS.

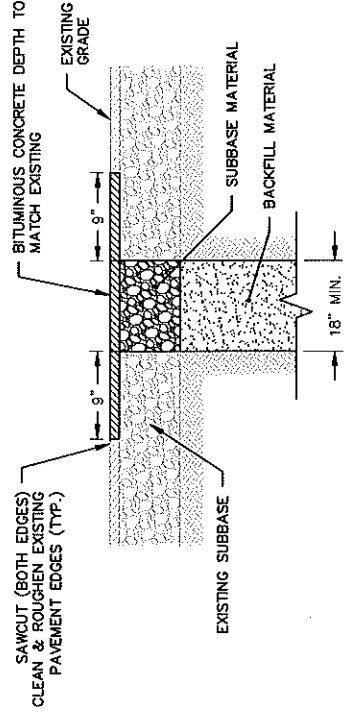


TYPICAL TRENCH DETAIL
NOT TO SCALE

RESTORATION REQUIREMENTS:
SUBBASE & TRENCH BACKFILL SHALL CONFORM TO CITY OF LOWELL SPECIFICATIONS FOR MATERIAL, PLACEMENT & COMPACTION.



CONCRETE SIDEWALK
RESTORATION DETAIL
NOT TO SCALE



BITUMINOUS CONCRETE
ROADWAY RESTORATION DETAIL
NOT TO SCALE



Call before you dig.

AT&T PROPRIETARY
(Internal Use Only)

Not for disclosure outside the AT&T companies except under written agreement.

© 2018 AT&T Intellectual Property. All rights reserved.

AT&T, the AT&T logo, and the AT&T globe are trademarks of AT&T Knowledge Ventures, L.P. All other marks contained herein are trademarks of their respective owners. This document is for informational purposes only. It is exempt from disclosure under the Freedom of Information Act, 5 U.S.C. 552, and is therefore not subject to public release under the provisions of the AT&T Intellectual Property Act, 16 U.S.C. 2503.

Information Act of 2002, 16 U.S.C. 1502, and any other applicable law. This document and its contents are for informational purposes only and may be subject to change without notice. AT&T does not warrant the accuracy or completeness of the information contained herein. AT&T is not responsible for any damage or loss resulting from the use of this information.

PREPARED FOR RECORD

APPROVED BY: DATE:

TC SYSTEMS, INC
An Affiliate of AT&T



PROPRIETARY
NOT FOR DISCLOSURE TO ANY OTHER PARTY

PROJECT NUMBER:

LINE CODE:


CABLE ID:

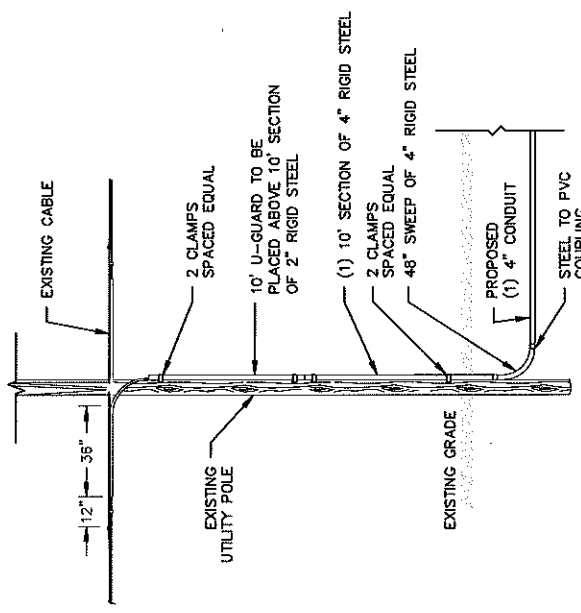
SCALE: AS NOTED

VZ UP #8572 TO VZ MH #401
LOWELL, MASSACHUSETTS
MIDDLESEX COUNTY

TYPICAL TRENCH AND SURFACE
RESTORATION DETAILS

DT001

ISSUE DATE 1-MARCH-2018 09:08:58 AM 1/27	REVISED DATE 1/27
<p>PRELIMINARY NOT FOR CONSTRUCTION</p> <p>NOTES:</p>	
 <p>Call before you dig.</p>	
<p>AT&T PROPRIETARY (Internal Use Only)</p> <p>Not for disclosure outside the AT&T competitive bidding selection agreement.</p> <p>© 2018 AT&T Intellectual Property. All Rights Reserved.</p> <p>AT&T, the AT&T logo, and other marks contained herein are trademarks of AT&T Knowledge Ventures, L.P. All other marks contained herein are trademarks of their respective owners. This information is for informational purposes only. It is exempt from the Freedom of Information Act (5 U.S.C. 552). Freedom of Information Act requests are prohibited under the provisions of 5 U.S.C. 552(a)(7)(C).</p> <p>© 1911 U.S.C. 1063. All Other Intellectual Property Rights Reserved. This information may not be copied or distributed to others without the express written consent of the copyright owner. All other marks contained herein are trademarks of their respective owners.</p>	
APPROVED FOR RECORD	DATE
APPROVED FOR OUTSIDE PLANT	DATE
<p>TC SYSTEMS, INC. An Affiliate of AT&T</p>	
<p>SIENA A Division of TC Systems, Inc. 16-12200 Cheminford Street Lowell, MA 01851 TEL: 978-455-1200 FAX: 978-455-1201 WWW.SIENA.COM</p>	
<p>PROPRIETARY USE IS RESTRICTED TO COMPANY EMPLOYEES ONLY. NO REPRODUCTION OR DISSEMINATION WITHOUT WRITTEN PERMISSION FROM SIENA.</p>	
NUMBER	DATE
CABLE GLE	
SCALE	AS NOTED
<p>VZUP #6572 TO VZ.MH #401 LOWELL, MASSACHUSETTS MIDDLESEX COUNTY</p>	
<p>TYPICAL RISER DETAIL DT002</p>	



PROPOSED RISER DETAIL
NOT TO SCALE