

**CITY OF LOWELL**  
**PETITION**

TO THE  
CITY COUNCIL

Mark Conserva on behalf  
of Thornbike Exchange  
165 Thornbike St  
Re: Overhanging sign

In City Council

May 9, 2019

Read and

Clerk

May 1, 2019

Michael Geary, City Clerk  
City of Lowell  
Lowell City Hall  
375 Merrimack Street  
Lowell, MA 01852

REFERENCE: OVERHANGING SIGNS – 165 THORNDIKE STREET

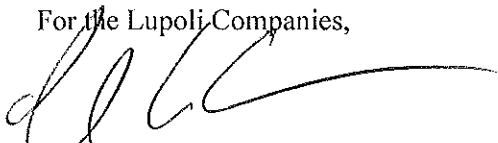
Dear Mr. Geary:

I am seeking City Council approval to install overhanging signage on behalf of the Lupoli Companies for Thorndike Exchange at 165 Thorndike Street. I understand that City Council approval is required as the signs overhang a public way and that insurance is also required. The attached sign design has been approved by the Historic Board and your assistance in placing this on the City Council's next agenda to start this process would be much appreciated.

As indicated in the attachments, four (4) signs are proposed to overhang the Thorndike Street sidewalk and are noted as locations 7, 8, 11, and 12.

Thank you for your assistance in this matter and if you have any questions, please do not hesitate to contact me at (978) 851-2424 or Scott Moreau of the Lupoli Companies at (978) 479-5852.

For the Lupoli Companies,



Mark Conserva  
Metro Sign & Awning

attachments

2019 MAY 1 AM 11:13

# LETTER OF AUTHORIZATION (LOA)

for Metro Sign & Awning to act on the owner's behalf for the purpose of obtaining sign permits

Project Location:

Thorndike Exchange

165 Thorndike St.

Lowell MA 01852

Agreed and accepted:

By Landlord or Property Owner: Lupoli Companies

Name (sign):

Scott J. Moreau

Name (print):

Scott Moreau

Title:

Director of Business Development

Phone number:

978-479-5852

Email:

smoreau@lupolicompanies.com

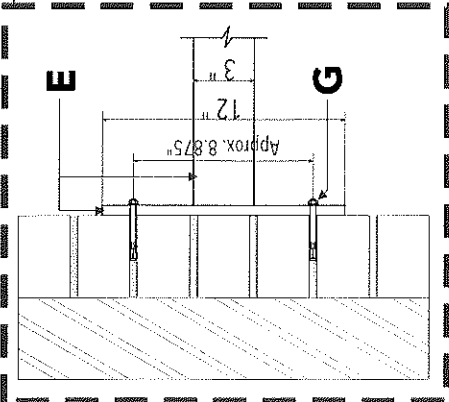
Date:

3/18/19

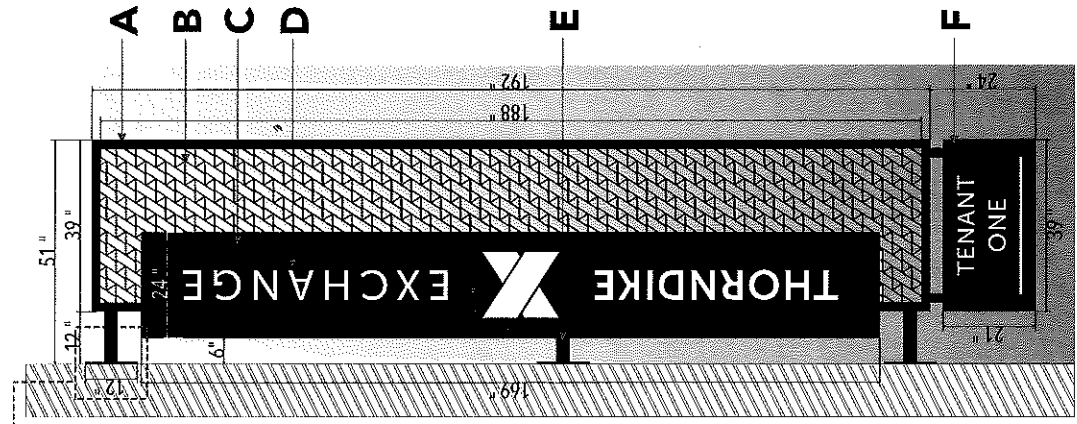


Locations 7 & 8

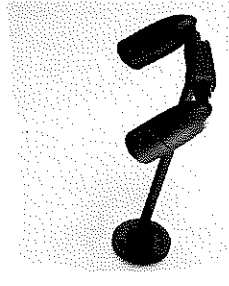
<b>NOTES</b>	<b>LOC 7-10</b>
<b>EXTERNALLY ILLUM. BLADE SIGNS</b>	
Quantity: 4	
<b>A</b>	2" sq. alum. tube frame, painted Black.
<b>B</b>	.375" thick alum. panel w/ custom waterjet cut pattern. Painted Black.
<b>C</b>	.125" thick alum. panel fastened to tube frame. Painted Black.
<b>D</b>	.125" thick alum. copy, painted White and mechanically fastened to panel.
<b>E</b>	2" x 3" x 12" rectangular alum. tube arms, welded to 12" square alum. plate. All painted Black.
<b>F</b>	21" x 39" x 2" deep tenant pan signs welded to bottom of frame and painted Black. Faces to be removable so that tenants can be changed out. White vinyl graphics applied to both sides.
<b>G</b>	Hifi sleeve anchors (3" emb. typ.) mounted into grout lines per historic.
<b>SURVEY REQUIRED</b>	
Measure area to get spacing for grout line mounting.	
<b>Square Footage: 58.5</b>	
<b>RELEASE TO PRODUCTION:</b>	
<b>Work Order:</b>	



SECTION OF MOUNTING



(2) LIGHT FIXTURES:  
PAR20 120V Modern Straight Arm Directional Double Bullet Sign Lighter SL8-PAR20BLTD  
**SURVEY REQUIRED**  
Measure area to get spacing for grout line mounting.



- PAINT COLORS:**
- Black (Satin)
  - White (Satin)
- VINYL COLORS:**
- 3M HP #10 White

WWW.METROSIGN.NET    PHONE: 978.851.2424    FAX: 978.851.2022    170 LORUM STREET    TEWKSBURY, MA 01876

Customer/Job Location: **Lupoli Companies**  
Thorndike Exchange • Lowell, MA

DWG. DATE: 3.13.2019    Approved:  Approved As Noted    Date:    X    Date:    X

Rev.1: 3.27.19 added mounting.    Rev.2:    Rev.3:   

Sales: EB    Design: JP    PMgr: IMG

Drawing #: 19-20551-4-ar1

File Name: Lupoli\_Thorndike\_Extorior\_19-20551.fs



This design/drawing is copyrighted © 2019 Metro Sign & Awning, Inc. No part of this drawing may be reproduced, copied or exhibited in any fashion without written consent from Metro Sign & Awning, Inc.

LOCATIONS 11 & 12

**NOTES** **LOC. 11-14**

**ALUMINUM BLADE SIGNS**

Quantity: 4

- A** Custom fabricated alum. bracket, welded to base plate. All painted White.
- B** Mechanical fasteners through the bracket and the face of the alum. pan. Heads painted White.
- C** 7.25" x 36" w x 1.5" thick alum. pan sign, painted Black (Satin).
- D** Tenant copy: 3M HP #10 White vinyl, applied to both sides.
- E** Hilti sleeve anchors (3" emb. typ.) mounted into grout lines per historic.

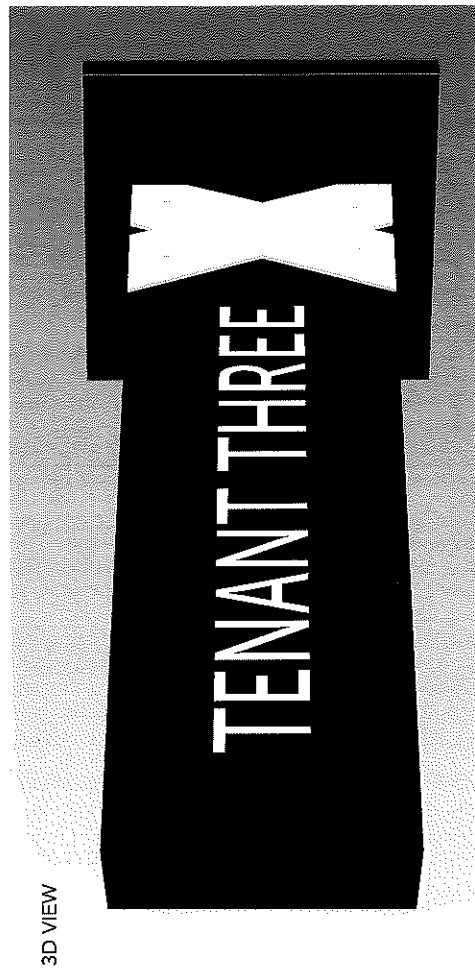
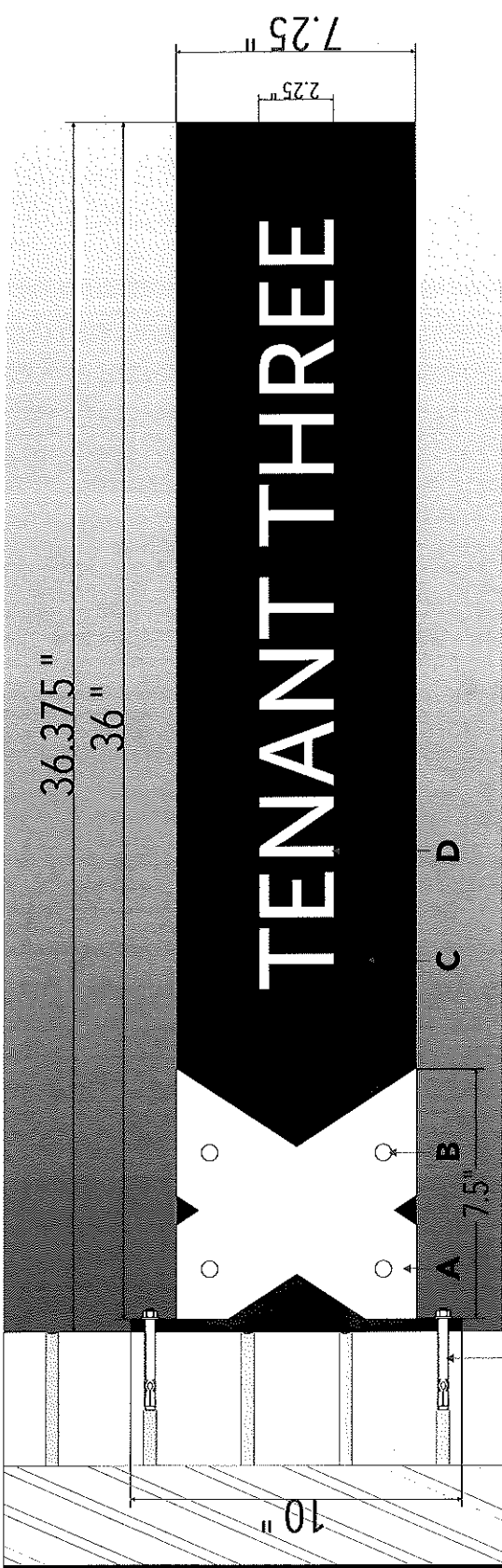
**SURVEY REQUIRED**

Measure area to get spacing for grout line mounting.

**Square Footage: 1.8**

**RELEASE TO PRODUCTION:**

**Work Order:**



**PAINT COLORS:**

- Black (Satin)
- White (Satin)

**VINYL COLORS:**

- 3M HP #10 White

WWW.METROSIGN.NET

PHONE: 978.851.2424 FAX: 978.851.2022

170 LORUM STREET TEWKSBURY MA 01876

SALES: EB DESIGN: JP P.MGR: JMG

DWG. DATE: 3.13.2019

Rev.1: 3.29.19 rev. specified mounting.

Rev.2:

Rev.3:

Approval:  Approved  
 Approved As Noted  
 Date: X

File Name: Lupoli\_Thorndike\_Exterior\_19-20551.fs

Drawing #: 19-20551-5a.r1



This design/drawing is copyrighted © 2019 Metro Sign & Awning, Inc. No part of this drawing may be reproduced, copied or exhibited in any fashion without written consent from Metro Sign & Awning, Inc.

**NOTES**

**LOC.7-14**

**BUILDING MOUNTED  
SIGN LOCATIONS**



**RELEASE TO PRODUCTION:**

**Work Order:**

**Customer/Job Location:**  
**Lupoli Companies**  
Thornlike Exchange • Lowell, MA

**DWG. DATE:** 3.29.2019  
Rev.1:  
Rev.2:  
Rev.3:

**Approval:**  Approved  
 Approved As Noted  
**File Name:** Lupoli\_Thornlike\_Exterior\_19-20551.fs

**DATE:** 170 LORUM STREET  
**PHONE:** 978.851.2424  
**FAX:** 978.851.2022

**Sales:** EB  
**Design:** JP  
**PMgr:** MG  
**Drawing #** 19-20551-6



This design/drawing is copyrighted © 2019 Metro Sign & Awning, Inc. No part of this drawing may be reproduced, copied or exhibited in any fashion without written consent from Metro Sign & Awning, Inc.